

Introduction

Thank you for purchasing your Zuma Flush Mount Adapter (Round).

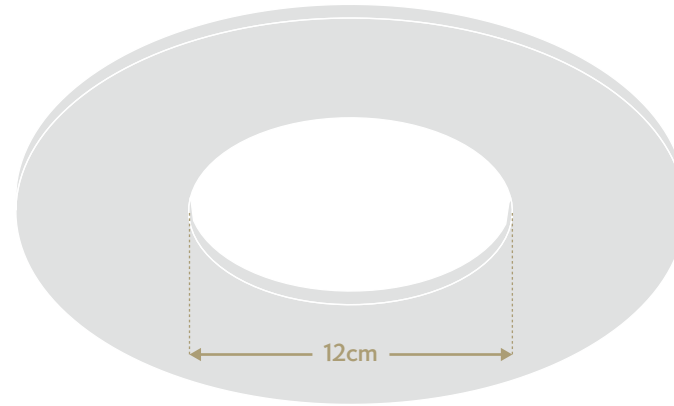
Here you'll find a quick guide to help you get started. Enjoy!

You will need

#3 plasterboard screws
12cm hole saw

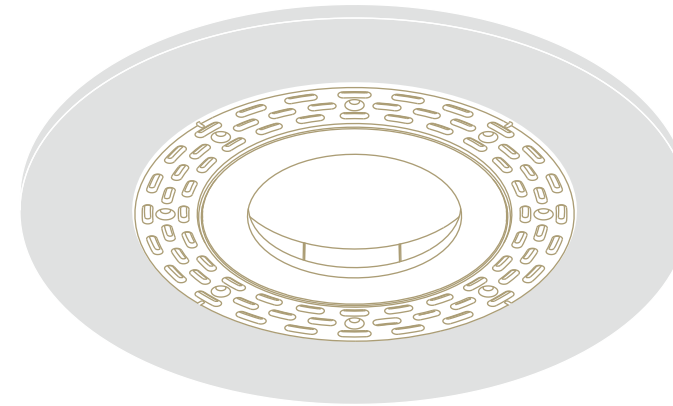
1. Drilling holes

Begin by using a 12cm hole saw to cut holes in your ceiling where you intend to install your Zuma Flush Mount adapters.



2. Insert the Flush Mount Adapter

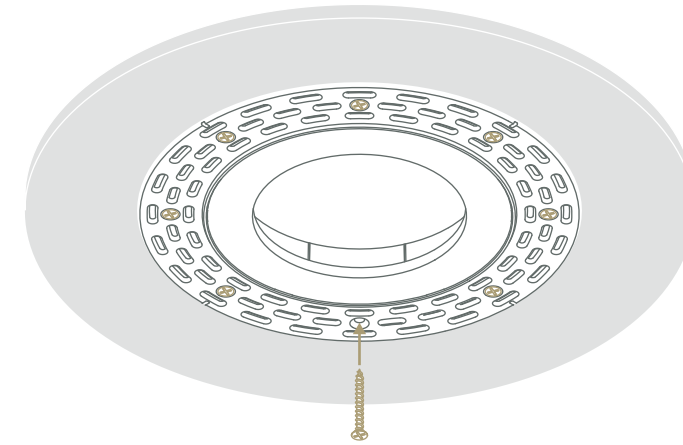
Bring the Flush Mount Adapter to the ceiling and carefully push it into the hole.



3. Screw into the ceiling

Using #3 plasterboard screws, secure the Flush Mount Adapter to the ceiling.

Ensure there is some batten inside of the ceiling for the screws to grip onto.

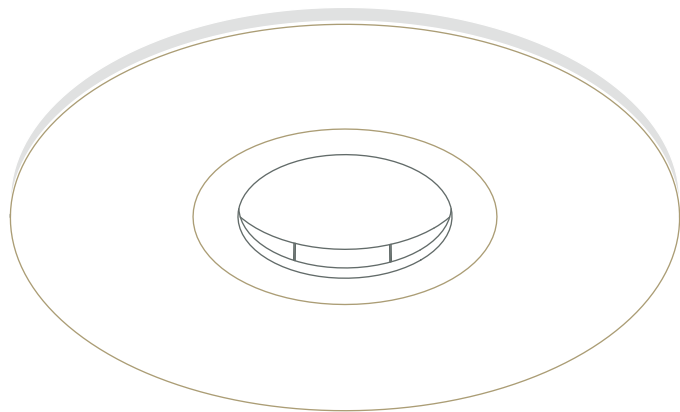


SECTION VIEW

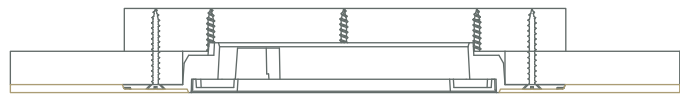


4. Plaster the ceiling

Apply a plaster skin to the ceiling to cover the mounting face.



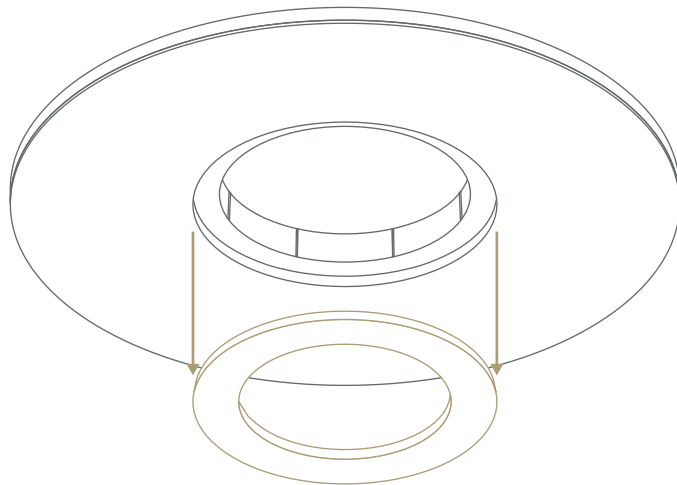
SECTION VIEW



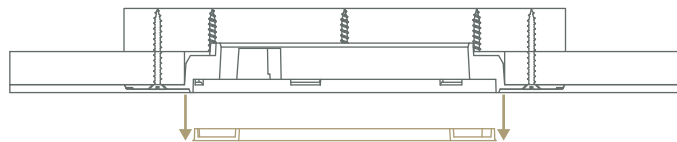
5. Remove the plug

Once the plaster skin has set and the ceiling has been painted, remove the protective plug and discard. You are now ready to install your Zuma unit.

Please refer to the Zuma Installer Guide for instructions on how to install your Zuma unit.



SECTION VIEW



6. Install the Zuma unit

Refer to the Zuma Installer Guide for instructions on how to install your Zuma unit.

ZUMA

Installer Guide

Flush Mount Adapter - Round

To review your warranty coverage, please visit www.zuma.ai.

© 2021 ZUMA Array Limited or its affiliates.

Zuma and all related logos are trademarks of Zuma Array Limited or its affiliates.

The registered office of Zuma Array Limited is:
5 Garden Walk, London, United Kingdom, EC2A 3EQ.